

PRODUCT SUMMARY

Design: Inset LED Light

Material: Aluminum or Steel

IP Rating: IP 67

Light Color: White, Green, Yellow, Blue, Red, Infrared, Dual

NVG Enhanced: Optional

Power supply 24-60 VDC / 110-230 VAC / 6.6 A

Power: 3 Watts (green) / 12 Watts (White)

Brightness ctrl.: 10%-30%-100%

LED Lifetime: > 80'000 hours

iControl Ready: Optional

DESCRIPTION:

The ESP 150 is our most used product for helipad lighting. This product and its forefather have been produced and are used in more than 600 Helipads all around the world. It is available in a large range of colors, materials and power supplies. It is easy to install and needs no maintenance. The manufacturing quality guarantee a very long lifetime. The waterproofness has been elaborated to guarantee that no water or humidity enters into the light. A special physical barrier guarantees that no humidity can come from the connection (WatBar). This inset LED light is very robust.

The ESP 150 is made with power LEDs, especially selected for their quality, lifetime (< 80'000 hours) and photometrical stability. Brilliancy control: 10%-30%-100 %
INFRARED (NVG ENHANCED)

Our special infrared LED light engine has a very high response on NVG units. That means, that this NVG enhanced lights will be highly amplified by the NVG. Environment and other lights are still visible with the same quality. For pilots flying without NVG, no modification is visible on the dual lighting system.

Optionally this light can be used with the iControl system. The electronic system integrated in the light can detect a failure and communicate with the iControl. For example: you can configure to receive an email if any light has a problem. You are able to watch the status and failure information of each light directly from a dedicated webpage. It is also possible to switch ON and regulate the system from an I phone or Android mobile phone, and much more...

iControl makes the installation, flight and maintenance easier and safer.

Visit www.electronicssp.ir for more information about iControl

TECHNICAL DESCRIPTION:

Mechanical characteristics:

| | |
|-------------------------------------|--|
| Body material: | Aluminum anodised |
| | Mineral tempered glass |
| Diameter: | 150 mm |
| Height: | 46 mm |
| Weight: | 1 kg |
| Temperature range: | -35° to +50° |
| Protection Class: | IP67 |
| Water / Humidity: Insulation | WatBar – Physical insulation between the “connection room” and the light |

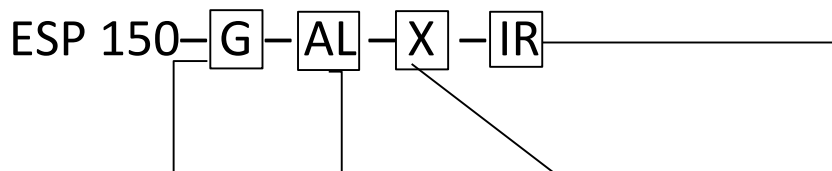
Optical characteristics:

| | |
|---------------------------|--------------------------------------|
| Technology: | High Power LED |
| Light source: | Aerolighting ESP LED engine |
| Available color: | Green/White/Yellow/Blue/Red/Infrared |
| Intensity (White): | 65 cd at 15° elevation (100%) |
| Horizontal output: | 360° |
| Intensity level: | 100% - 30% - 10% |
| LEDs Lifespan: | >80'000 hours |

Electrical characteristics:

| | |
|---|--|
| Supply Voltage: | 24 to 60 Volts DC or 110 to 240 Volts AC 50/60hz or 6.6A (CCR) |
| Power: | 3 Watts (green) / 12 Watts (white) |
| Brightness regulation (visible): | Intelligent control system: iControl bus -> more information LBR II 6.6 A (CCR) |
| Connection: | +Vdc / -Visible / -IR / -Regulation (LBR II) |
| Type of cable: | LBR Version: 2x 1.5mm ² / iControl Version: 4x 1.5mm ² |

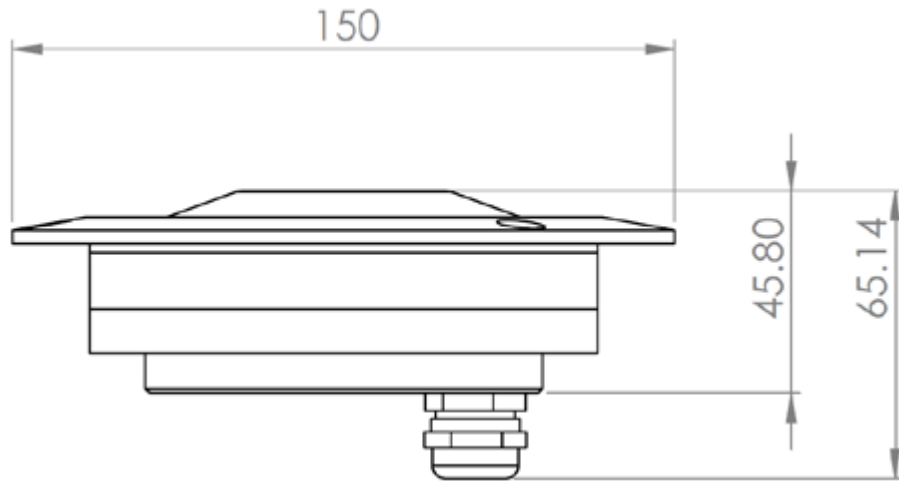
ORDERING CODE:



| Type | Color | Material | Power Supply | NVG Enhanced |
|---------|---|-------------------------------------|---|--|
| ESP 150 | -G: Green -W: White -Y: Yellow -B: Blue -R: Red -IR: Infrared (only) | -AL Aluminum -IN Stainless Steel | -X: iControl (intelligent) -Y: LBR (standard) -Z: 6.6 A | -IR: NVG Enhanced (with Infrared) -N: NO NVG Enhanced |

Example: **ESP 150 -G-AL-X-IR** -> ESP, Green, with iControl power supply, with NVG Enhanced

DRAWING:



PHOTOMETRIC DATA:

