

**PRODUCT SUMMARY**

**Design:** Inset LED Light

**Material:** Aluminum or Stainless Steel

**IP Rating:** IP 67

**Light Color:** White, Green, Yellow, Blue, Red, Infrared, Dual

**NVG Enhanced:** Optional

**Power supply** 24-60 VDC / 110-230 VAC / 6.6 A

**Power:** 3 Watts (green) / 12 Watts (White)

**Brightness ctrl.:** 10%-30%-100%

**LED Lifetime:** > 80'000 hours

**iControl Ready:** Optional

**DESCRIPTION:**

The ESP is the 8 inches version of ESP. This product and its forefather have been produced and are used in more than 600 Helipads all around the world. It is available in a large range of colors, materials and power supplies. It is easy to install and needs no maintenance. The manufacturing quality guarantees a very long lifetime. The waterproofness has been elaborated to guarantee that no water or humidity enters into the light. A special physical barrier guarantees that no humidity can come from the connection (WatBar). This inset LED light is very robust. The ESP is made with power LEDs, especially selected for their quality, lifetime (< 80'000 hours) and photometrical stability. Brilliancy control: 10%-30%-100%. INFRARED (NVG ENHANCED)

Our special infrared LED light engine has a very high response on NVG units. That means, that this NVG enhanced lights will be highly amplified by the NVG. Environment and other lights are still visible with the same quality. For pilots flying without NVG, no modification is visible on the dual lighting system. Optionally the ESP 8 "can be used with the iControl system. The electronic system integrated in the light can detect a failure and communicate with the iControl. For example: You can configure to receive an email if any light has a problem. You are able to watch the status and failure information of each light directly from a dedicated webpage. It is also possible to switch ON and regulate the system from an I phone or android mobile phone, and much more...

**iControl makes the installation, flight, and maintenance easier and safer..**

Visit [www.electronicsp.ir](http://www.electronicsp.ir) for more information about iControl

**TECHNICAL DESCRIPTION:**

**Mechanical characteristics:**

<b>Body material:</b>	Aluminum anodized Mineral tempered glass
<b>Diameter:</b>	8 inches
<b>Height:</b>	46 mm
<b>Weight:</b>	1 kg
<b>Temperature range:</b>	-35° to +50°
<b>Protection Class:</b>	IP67
<b>Water / Humidity: Insulation</b>	WatBar – Physical insulation between the “connection room” and the light

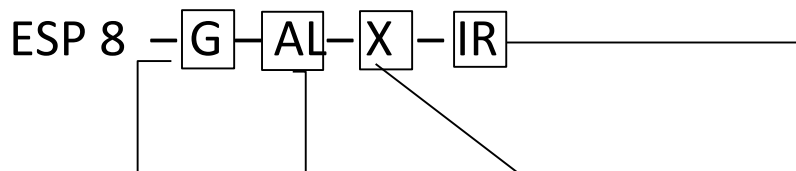
**Optical characteristics:**

<b>Technology:</b>	High Power LED
<b>Light source:</b>	Aerolighting ESP LED engine
<b>Available color:</b>	Green/White/Yellow/Blue/Red/Infrared
<b>Intensity (White):</b>	65 cd at 15° elevation (100%)
<b>Horizontal output:</b>	360°
<b>Intensity level:</b>	100% - 30% - 10%
<b>LEDs Lifespan:</b>	>80'000 hours

**Electrical characteristics:**

<b>Supply Voltage:</b>	24 to 60 Volts DC or 110 to 240 Volts AC 50/60hz or 6.6A (CCR)
<b>Power:</b>	3 Watts (green) / 12 Watts (white)
<b>Brightness regulation (visible):</b>	Intelligent control system: <b>iControl</b> bus -> more information LBR II 6.6 A (CCR)
<b>Connection:</b>	+Vdc / -Visible / -IR / -Regulation (LBR II)
<b>Type of cable:</b>	LBR Version: 2x 1.5mm <sup>2</sup> / iControl Version: 4x 1.5mm <sup>2</sup>

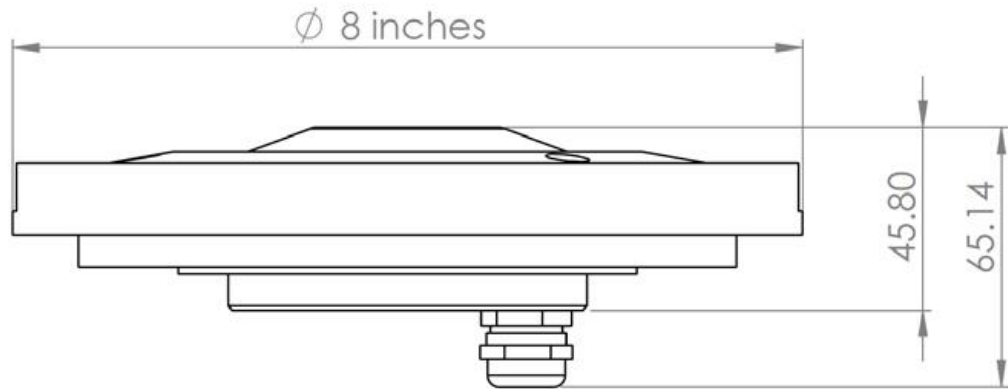
**ORDERING CODE:**



Type	Color	Material	Power Supply	NVG Enhanced
ESP 8	-G: Green -W: White -Y: Yellow -B: Blue -R: Red -IR: Infrared (only)	-AL Aluminum -IN Stainless Steel	-X: iControl (intelligent) -Y: LBR (standard) -Z: 6.6 A	-IR: NVG Enhanced (with Infrared) -N: NO NVG Enhanced

Example: **ESP 8 -G-AL-X-IR** ->ESP, Green, with iControl power supply, with NVG Enhanced

**DRAWING:**



**PHOTOMETRIC DATA:**

