

### PRODUCT SUMMARY

<b>Design:</b> Monting base	<b>Diameter:</b>	158 mm
<b>Material:</b> Aluminum or Steel (galvanized) Or Stainless Steel	<b>installation:</b>	To be mounted into concrete
<b>Used For:</b> ESP Series-ESP MKII 150	<b>Option:</b>	Back or side cable entry With or without base plate Special height on demand

### DESCRIPTION:

This mounting base is used for mounting 150mm inset LED lights. This base has to be mounted into concrete. Available with back or side cable entry. Many materials and dimensions available. This product can be produced with special dimensions on your request.

### TECHNICAL DESCRIPTION:

#### Mechanical characteristics:

<b>Body material:</b>	Aluminium Galvanized Steel Stainless Steel
<b>Diameter:</b>	158 mm (external ring)
<b>Height:</b>	130 mm
<b>Weight:</b>	4.5 kg (Galvanized Steel)
<b>Cable entry:</b>	Back or Side

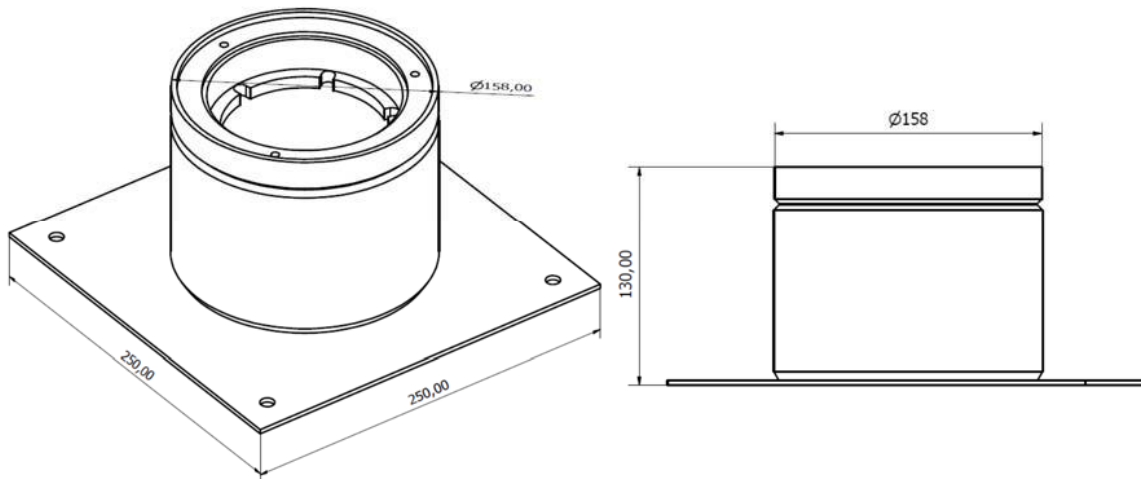
**ORDERING CODE:**

ESP-Base 100 – GS – ST – B – F

Type	Material	Base plate	Cable entry	Diameter
ESP-Base 100	-GS: Galvanized -AL: Aluminum -IN: Stainless Steel	-ST: With base plate -LI : Without base plate	-S: Side cable entry -B: Back cable entry	F: Fixed according or design FL: Flaxibel according project desingn

*The descriptions, photometric measurements and features contained in this publication are given for information only and do not constitute an engagement for our society, which reserves the right to change them without prior notification.*

**DRAWING with baseplate:**



**DRAWING without baseplate:**

