

PRODUCT SUMMARY

Design: ESP-Floodlight

Material: Aluminum

IP Rating: IP 66

Light Color: White

NVG Enhanced: Optional

Power supply

48-60 VDC / 110-230 VAC / 6.6 A

Power:

45 Watts (500w equivalent)

Brightness ctrl.:

10%-30%-100%

LED Lifetime:

> 80'000 hours

DESCRIPTION:

The ESP 4400 has an integrated power supply (110-230VAC or 48 to 60 VDC).

Lighting the surface with a ESP will help the pilot to obtain the right information about state and quality of surface. It will be easier to detect obstacles or objects present on the surface. This light will help to detect snow, sand, or other possible disagreements for pilots.

Our ESP 4400 is especially built to give a good reading of the quality of the terrain. The powerful narrow beam light will bring out details on the surface. The concept of the ESP 4400 guarantees the pilot not to be disturbed by the light..

Optionally this light can be used with the iControl system. The electronic system integrated in the light can detect a failure and communicate with the iControl. For example: you can configure to receive an email if any light has a problem. You are able to watch the status and failure information of each light directly from a dedicated webpage. It is also possible to switch ON and regulate the system from an Iphone or Android mobile phone. And much more...

iControl makes the installation, flight, and maintenance easier and safer.

Visit www.electronicsp.ir for more information about iControl

TECHNICAL DESCRIPTION:

Mechanical characteristics:

Body material:	Aluminium powder thermo coating aviation yellow Mineral tempered glass
Diameter:	290 mm
Height:	175 mm
Weight:	5.2 kg
Temperature range:	-35° to +70° C
Protection Class:	IP66
Frangibility:	YES
Water / Humidity: Insulation Adjustment	WatBar – Physical insulation between the “connection room” and the light Elevation: +/-20° Orientation: +/-360°

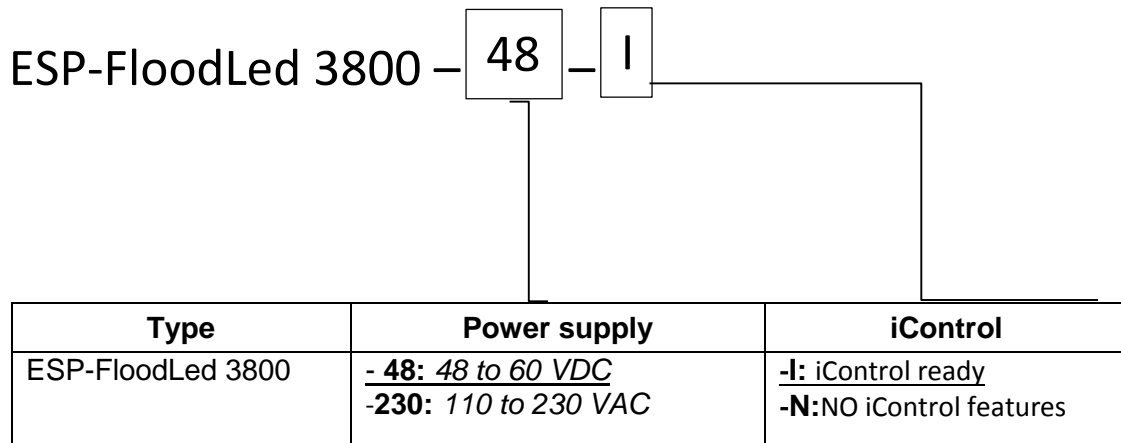
Optical characteristics:

Technology:	High Power LED
Light source:	Aerolighting EcoLED 825 W
Available color:	White
Intensity (White):	More than 20,000 cd in the center beam
Horizontal output:	25°
Intensity level:	100% - 30% - 10%(iControl)
LEDs Lifespan:	>80'000 hours

Electrical characteristics:

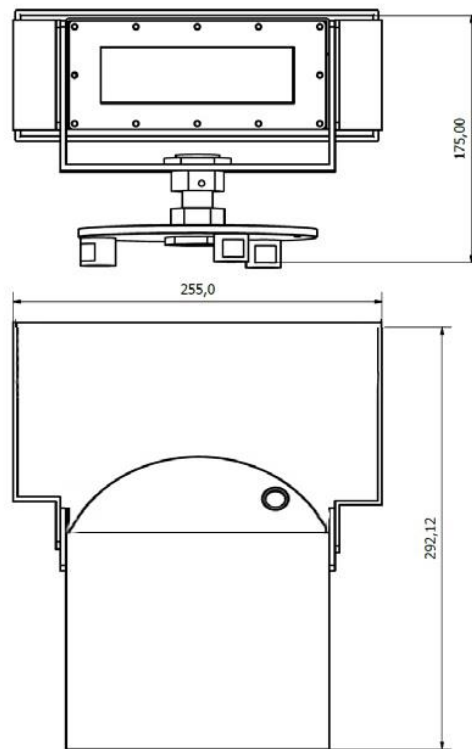
Supply Voltage:	24 to 60 Volts DC or 110 to 240 Volts AC 50/60hz or 6.6A (CCR)
Power:	45 W (White)
Brightness regulation (visible):	Intelligent control system: iControl bus -> more information LBR II 6.6 A (CCR)
Type of cable:	4x 1.5mm ²

ORDERING CODE:



Example: ESP-FloodLed 3800-48-N ->ESP-FloodLed 3800, 48 to 60 VDC, NO iControl features

DRAWING:



PHOTOMETRIC DATA:

